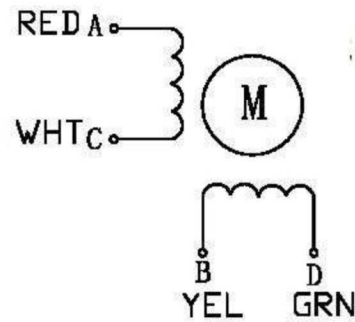
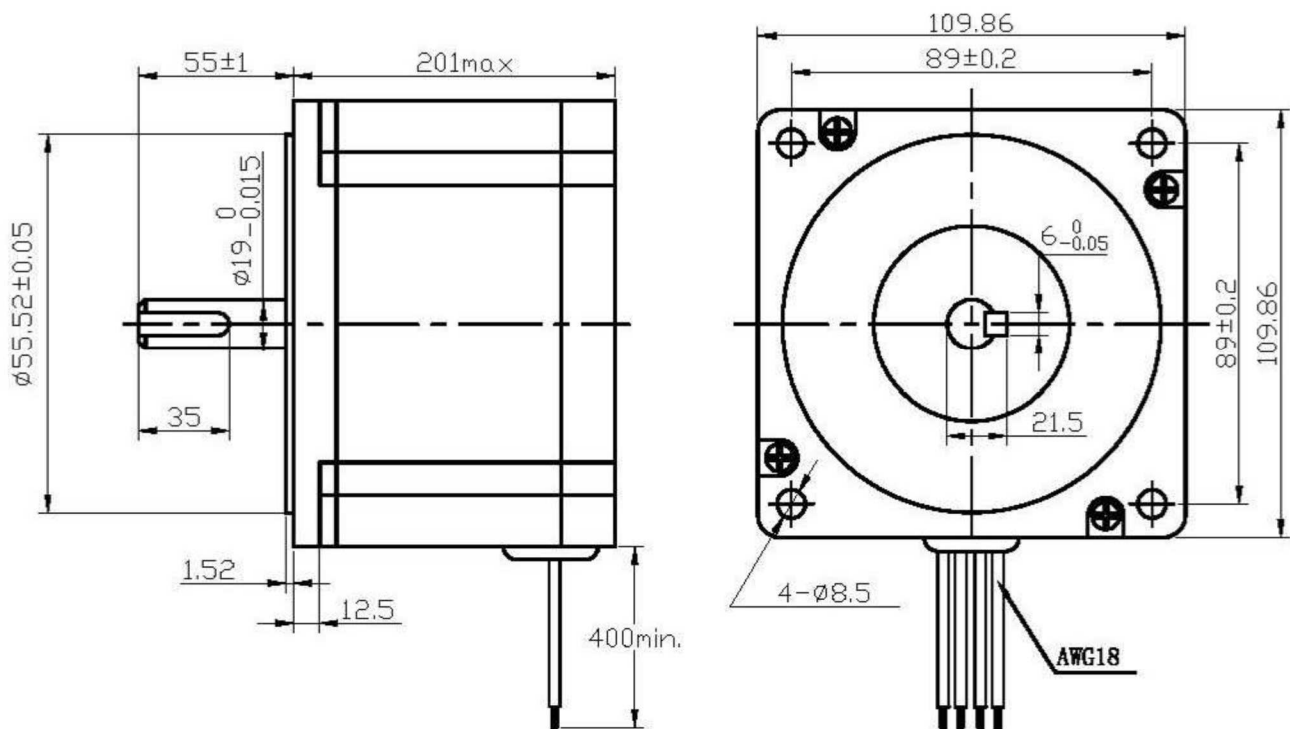


HYBRID STEPPING MOTOR MOD. SM1.8-F110280-CS

Wiring Diagram:



Dimensions:
(unit=mm)



Electrical Specifications

STEP ANGLE	1.8 ° /STEP
RATED VOLTAGE	5.328 V
CURRENT	8 A/PHASE
RESISTANCE	0.69±10% Ω /PHASE
INDUCTANCE	12.7±20% mH/PHASE
HOLDING TORQUE	28 N.m
INSULATION CLASS	B
ROTOR INERTIA	16200g. cm ²
WEIGHT	11.7Kg
DETENT TORQUE	7.5Kg. cm

SM1.8-F110280-CS Current:8A Voltage:130VAC Full Step

