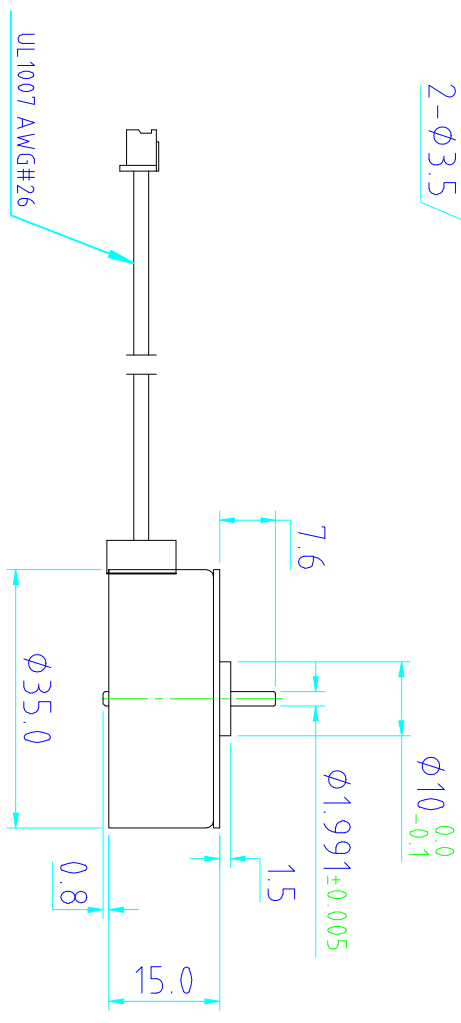
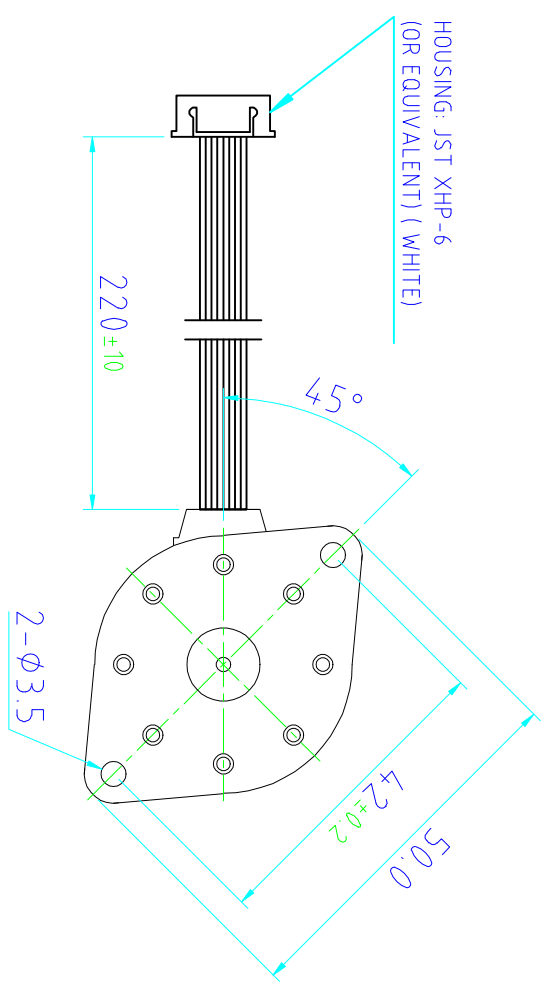


ISSUE NO:



TENSÃO NOMINAL (V <sub>dc</sub> )	2.4
CORRENTE (A)	0.20
RESISTÊNCIA FASE (ohm/fase)	12.5
INDUTÂNCIA FASE (mH/fase)	9.5
HOLDING TORQUE (gf.cm)	210
DETENT TORQUE (gf.cm)	100
INÉRCIA DO ROTOR (g.cm <sup>2</sup> )	3.32
PESO (g)	65

CONNECTOR PIN LOCATION		CW		PHASE	
PIN NO	COLOR	CCW (SEEN FROM FLANGE SIDE)	CW	A	B
1	YELLOW	ON		ON	A
2	ORANGE	ON		ON	B
3	BLACK	ON			A
4	BROWN			ON	B

MODELO	<b>SM7.5-D2.4-NC</b>	REV	00	DES'D	
SERIE	7.5° Ø35	CHK'D		APP'D	
		DO NOT SCALE DRAWING			
		CUSTOMER NO.   <span style="border: 1px solid black; display: inline-block; width: 100px; height: 20px; vertical-align: middle;"></span>			