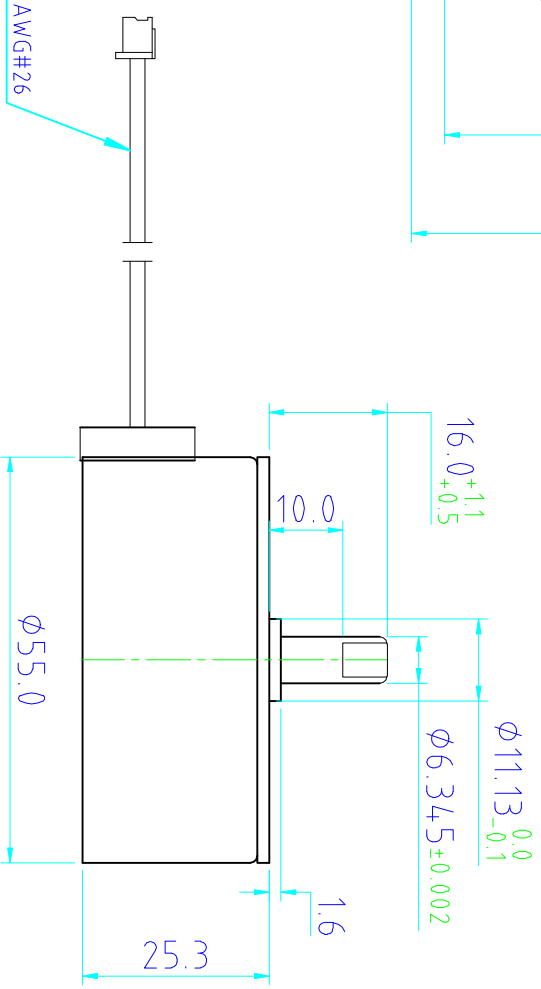


UL1007 AWG#26



TENSÃO NOMINAL (V <sub>dc</sub> )	12
CORRENTE (A)	0.40
RESISTÊNCIA FASE (ohm/fase)	30
INDUTÂNCIA FASE (mH/fase)	30
HOLDING TORQUE (kgf.cm)	1.55
DETENT TORQUE (gf.cm)	304
INÉRCIA DO ROTOR (g.cm <sup>2</sup> )	—
PESO (g)	—

CONECTOR PIN LOCATION		CGW	CGW	PHASE
PIN NO	COLOR	(SEEN FROM FLANGE SIDE)		
1	RED	ON	ON	A
2	YELLOW	ON	ON	B
3	BROWN	ON	ON	A
4	GREEN	ON	ON	B
5	BLACK	+	+	COM
6	BLACK	+	+	COM

MODELO	<b>SM7.5-A12P-NC</b>	REV	00	DES'D	
SERIE	7.5° Ø55	CHK'D		APP'D	
DO NOT SCALE DRAWING					
CUSTOMER NO.					

ISSUE NO: \_\_\_\_\_