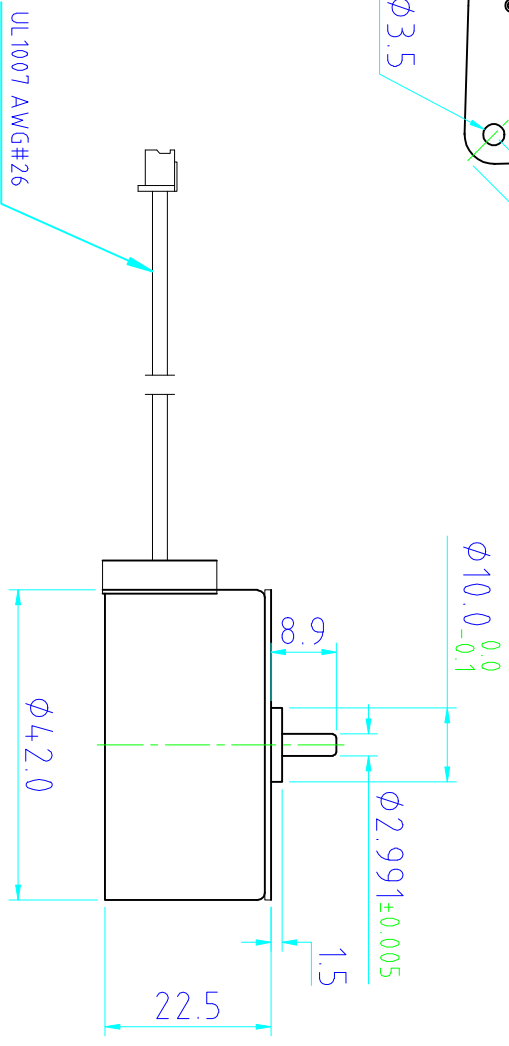
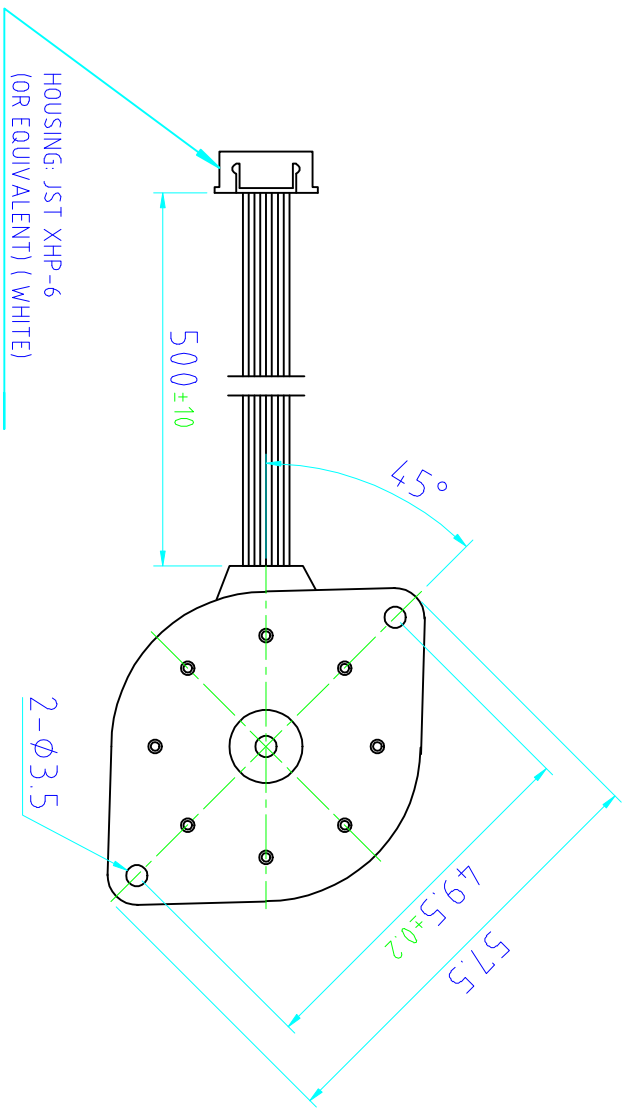


A B C D E F G H

ISSUE NO:



TENSÃO NOMINAL (V _{dc})	1.7
CORRENTE (A)	1.00
RESISTÊNCIA FASE (ohm/fase)	1.7
INDUTÂNCIA FASE (mH/fase)	0.95
HOLDING TORQUE (gf.cm)	400
DETENT TORQUE (gf.cm)	110
INÉRCIA DO ROTOR (g.cm ²)	11.37
PESO (g)	120

PIN NO	COLOR	CONNECTOR PIN LOCATION		PHASE
		CCW (SEEN FROM FLANGE SIDE)	CW	
1	RED		ON ON	A
2	YELLOW		ON ON	B
3	BROWN	ON ON		A
4	GREEN	ON ON		B
5	BLACK	+	+	COM
6	BLACK	+	+	COM

MODELO	SM7.5-C1.7-NC	REV	00
SERIE	7.5° Ø42	CHK'D	
		DES'D	
		APP'D	
DO NOT SCALE DRAWING			
CUSTOMER NO. 			