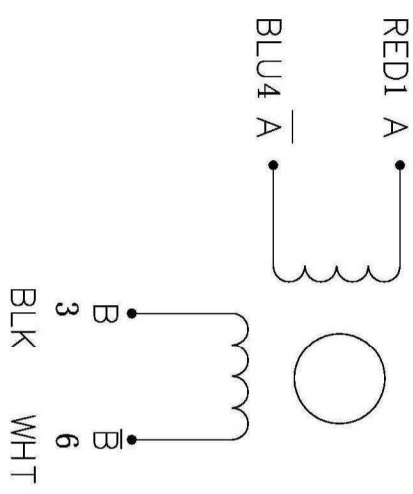
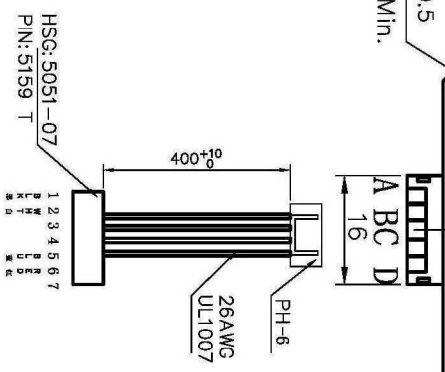
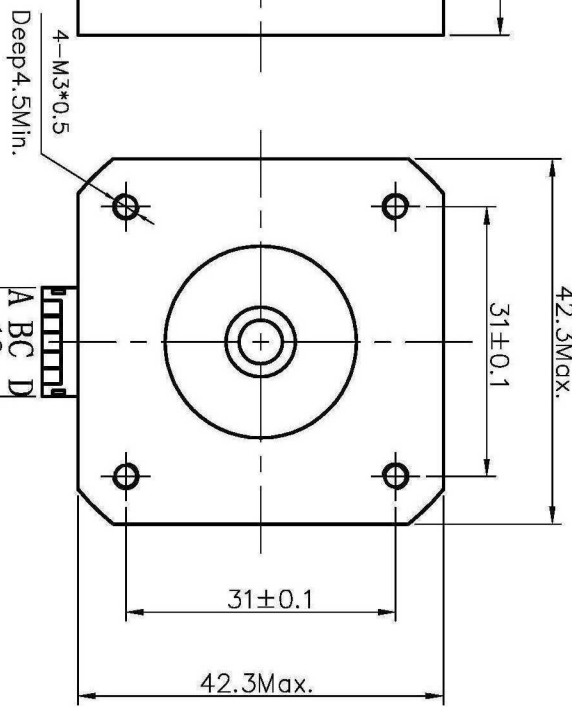
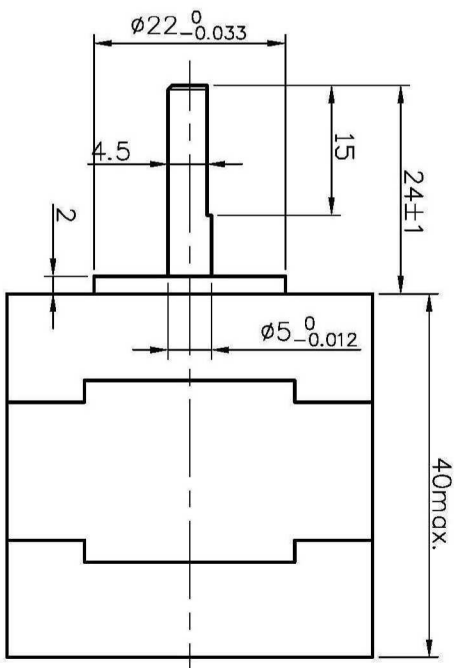


Dimension:  
Unit=mm



Wiring Diagram:

Specifications:

Phase	2	Comment
Step Angle	1.8	deg.
Voltage	4.0	V
Current	1.2	A
Resistance	3.2±10%	Ω
Inductance	3.2±20%	mH
Holding Torque	2.5	kg.cm
Insulation Class	B	
Mass	0.24	kg
Color	Blue	

Title:

Specification

Action Technology

SM1.8-A1740CH-CS

**Motor Type: SM1.8-A1740CH-CS**  
**1.25A/ PH 400 step/rev 24VDC**

