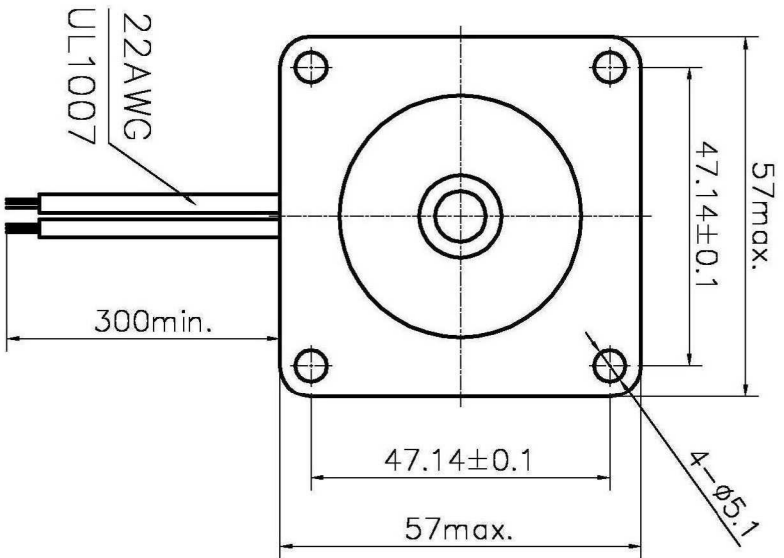
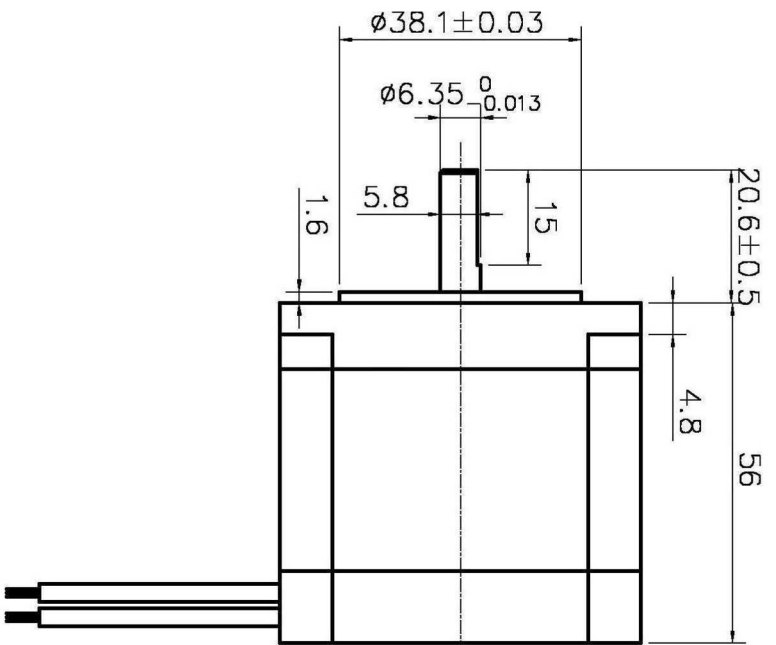
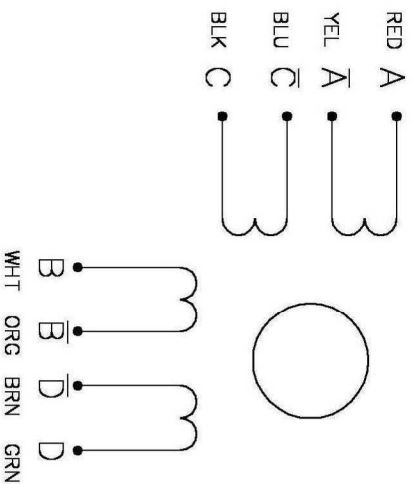


Dimension:  
Unit:mm



Wiring Diagram:



Specifications:

Phase	4			
Step Angle	1.8			deg.
	PARALLEL	UNIPOLAR	SERIES	
Voltage	1.5	2.1	2.94	V
Current	3.92	2.8	1.96	A
Resistance	0.375	0.75	1.5	±10% Ω
Inductance	1.1	1.1	4.4	±20%mH
Holding Torque	1.2	0.84	1.2	N.m
Insulation Class	B			
Mass	0.68			kg
Color	Blue			

Title:

Specification

Action Technology

SM1.8-D12-CS

Motor Type: SM1.8-D12-CS  
4.2 A/PH 400 step/rev PARALLELO 24 VDC

