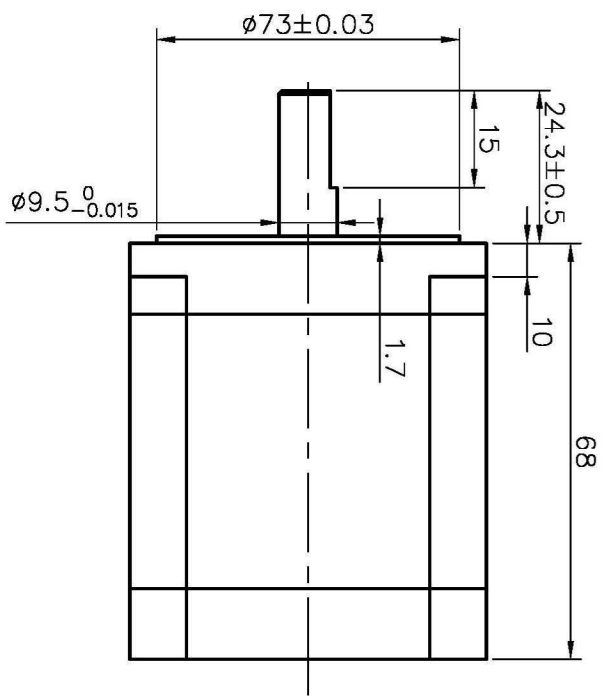
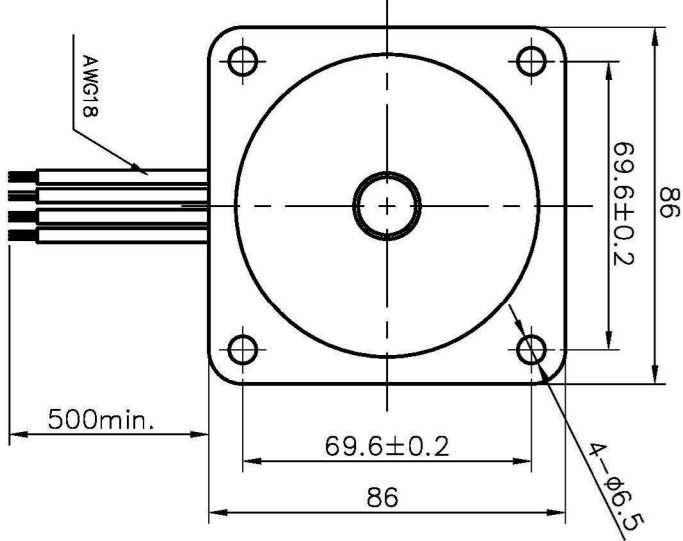
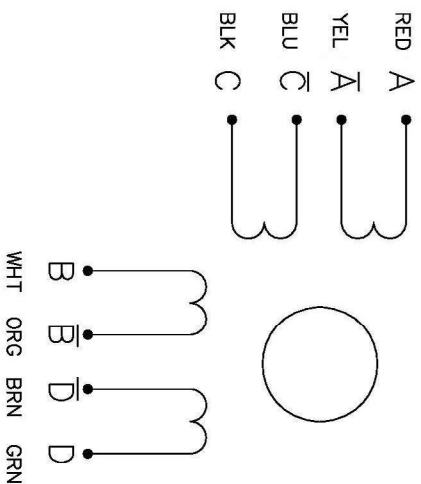
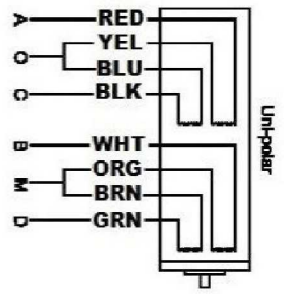
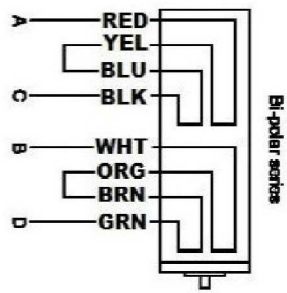
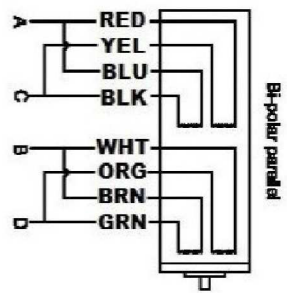


Wiring Diagram:



Specifications:

| | | | | |
|------------------|----------|----------|--------|------|
| Phase | 4 | | | |
| Step Angle | PARALLEL | UNIPOLAR | SERIES | deg. |
| Voltage | 2.7 | 3.92 | 5.5 | V |
| Current | 3.92 | 2.8 | 1.96 | A |
| Resistance | 0.7 | 1.4 | 2.8 | Ω |
| Inductance | 3.9 | 3.9 | 15.6 | mH |
| Holding Torque | 3.5 | 2.4 | 3.5 | N.m |
| Insulation Class | B | | | |
| Mass | 1.7 | | | kg |
| Color | Blue | | | |



Action Technology

SM1.8-E8535E9-CS

Motor Type: SM1.8-E8535E9-CS
4. 28A PH 400step/ rev PARALLEL 48VDC

