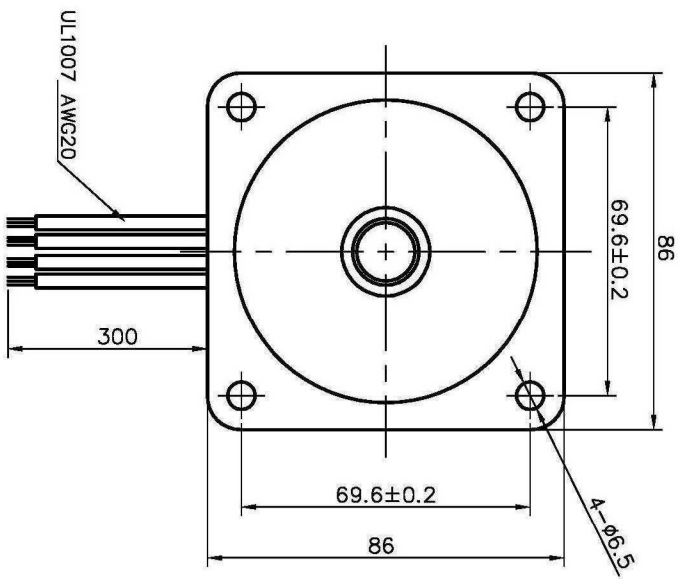
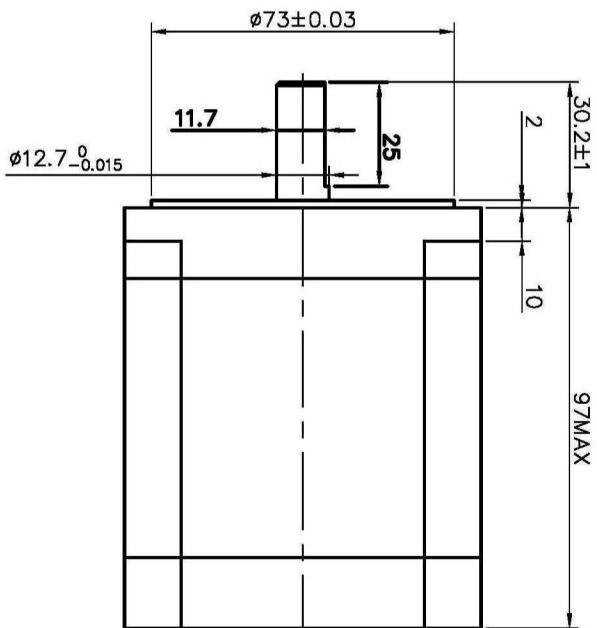


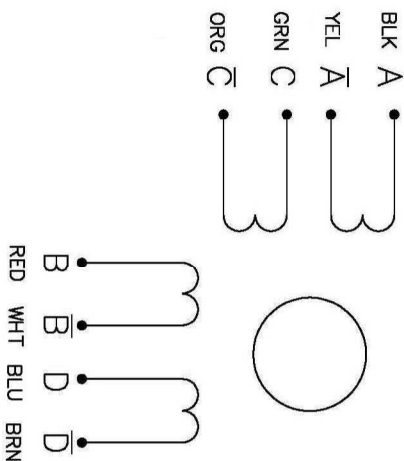
Dimension:  
Unit=mm



Specifications:

Phase	4			
Step Angle	1.8			deg.
	PARALLEL	UNIPOLAR	SERIES	
Voltage	1.98	2.79	3.96	V
Current	6.3	4.5	3.18	A
Resistance	0.33	0.66	1.32	±10% $\Omega$
Inductance	2.7	2.7	10.8	±20% $mH$
Holding Torque	6.3	4.4	6.3	N.m
Insulation Class	B			
Mass	3			kg
Color	Blue			

Wiring Diagram:



Title:

Specification

Action Technology

SM1.8-E8570-CS

Motor Type: SM1.8-E8570-CS

6A PH 400step/rev PARALLEL 48VDC

